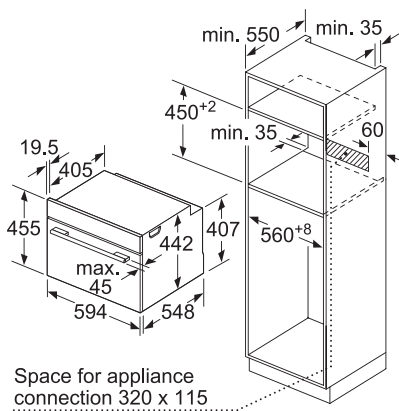


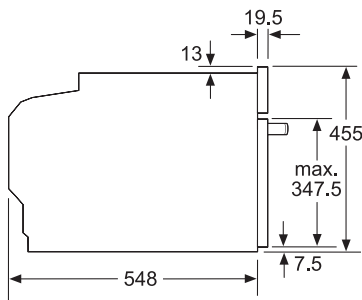
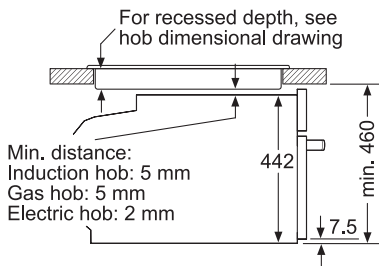


BOSCH

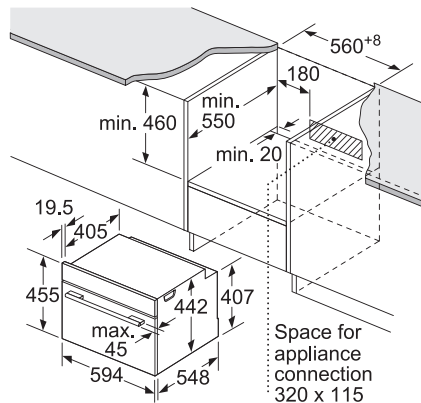
Invented for life



Installation with a hob.



	CDG634AS0 45cm built-in steam oven	\$26,800
Performance	<ul style="list-style-type: none"> 4 heating methods: <ul style="list-style-type: none"> - Steam - Defrost - Reheat - Dough proving 	
Functions	<ul style="list-style-type: none"> AutoPilot programmes (20 automatic programmes) Descaling programme 	
Features	<ul style="list-style-type: none"> Electronic touch with ring control High definition color TFT clear text display Digital temperature display SoftOpen and SoftClose door Double glass door (40°C door temperature) Interior lighting 	
Design	<ul style="list-style-type: none"> 3 shelf levels Door hinge: Bottom 	
Safety functions	<ul style="list-style-type: none"> Childproof lock Integral cooling fan Safety switch off function Door contact switch Water tank empty indicator 	
Technical information	<ul style="list-style-type: none"> Ribbed stainless steel cavity Total connected load: 1.75kW (13A) Capacity: 38L Water tank capacity: 1.3L Heating temperature: Steam 30°C – 100°C Dimensions (H x W x D): <ul style="list-style-type: none"> - Appliance: 455 x 594 x 548 mm - Cavity: 265 x 325 x 439 mm 	
Supplied accessories	<ul style="list-style-type: none"> 1 large steam container (solid) 1 large steam container (perforated) 1 sponge 	
Country of origin	<ul style="list-style-type: none"> France 	



If the compact appliance will be installed underneath a hob, the following worktop thicknesses (including substructure if necessary) must be taken into account.

Hob type	min. worktop thickness	
	fitted	flush
Induction hob	42 mm	43 mm
Full surface Induction hob	52 mm	53 mm
Gas hob	32 mm	43 mm
Electric hob	32 mm	35 mm

Measurements in mm